



T&S BRASS AND BRONZE WORKS, INC.
 2 SADDLEBACK COVE / P.O. BOX 1088 / TRAVELERS REST, SC 29690
 PHONE 800-476-4103 FAX 864-834-3518



Model No.

B-1037

Item No.:

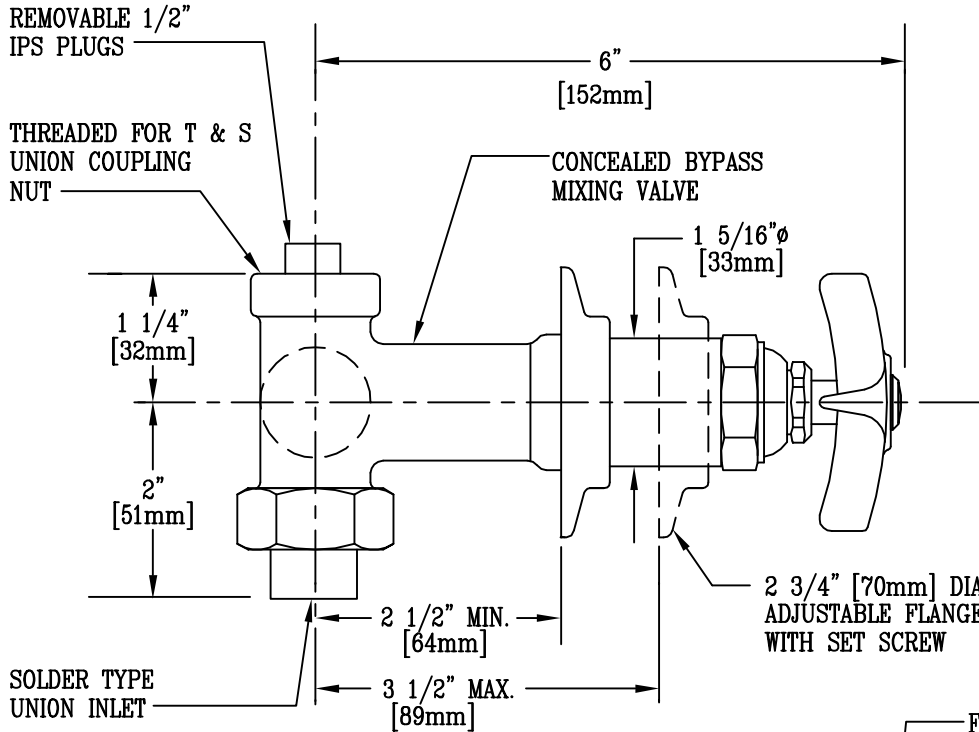
Job Name:

Architect/Engineer Approval:

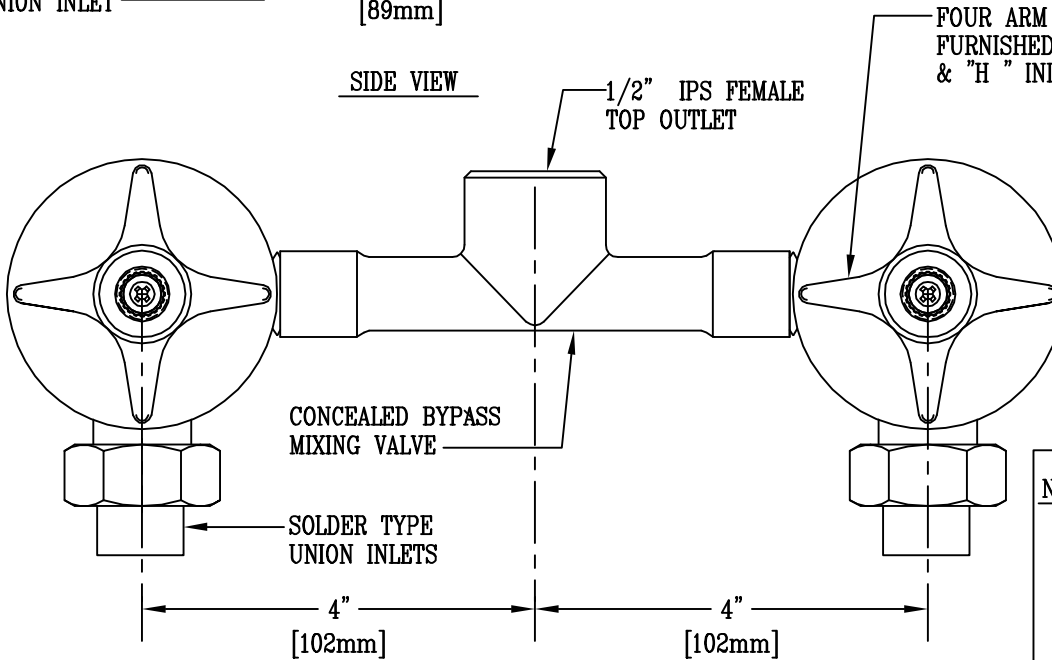
Notes:



ADA COMPLIANT



SIDE VIEW



FRONT VIEW

NOTES : SUPPLY MAY BE FROM ABOVE OR BELOW

VALVE ALSO AVAILABLE ON 6" C/C INLETS. SPECIFY.

Product Description:

CONCEALED BYPASS MIXING VALVE WITH SOLDER TYPE UNION INLETS FOR 5/8" O.D. COPPER TUBING, & FOUR ARM HANDLES

Drawn:

WJS

Approved

CA

Checked

SCM

Scale:

6" = 1'

Date:

8/11/95