



**T&S BRASS AND BRONZE WORKS, INC.**

2 SADDLEBACK COVE / P.O. BOX 1088 / TRAVELERS REST, SC 29690

PHONE 800-476-4103

FAX 803- 834-3518



REG. #A2601  
ISO #9002

Model No.

B-1051

Item No.:

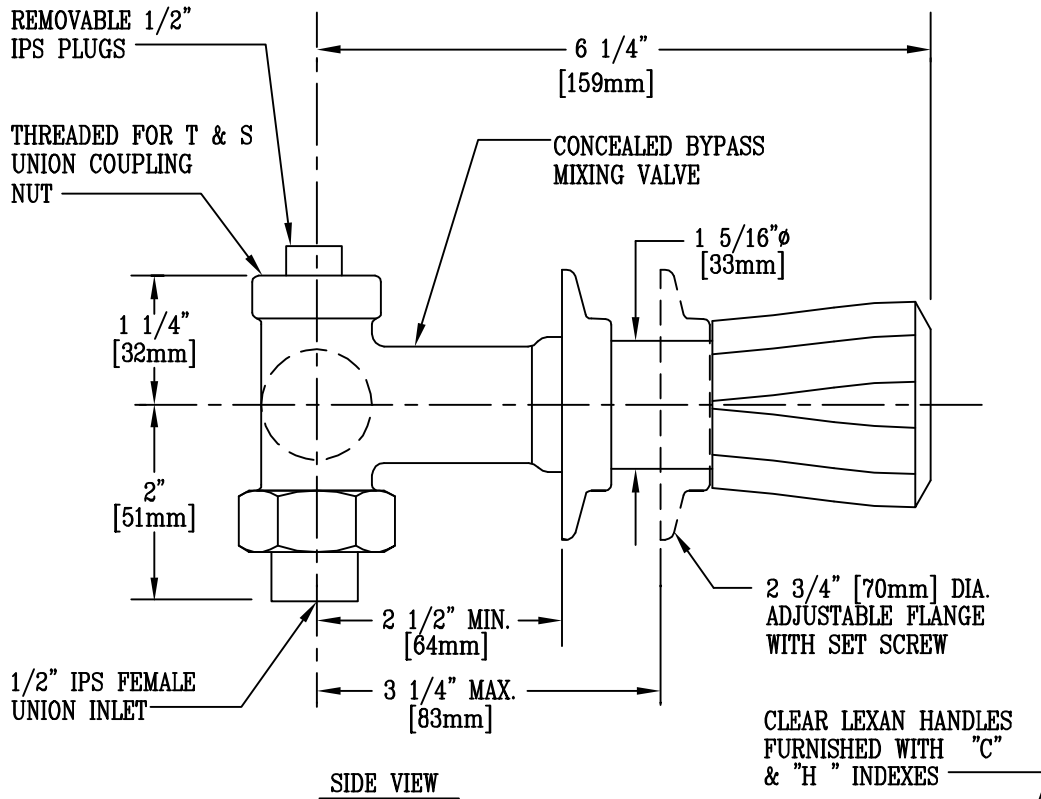
Job Name:

Architect/Engineer Approval:

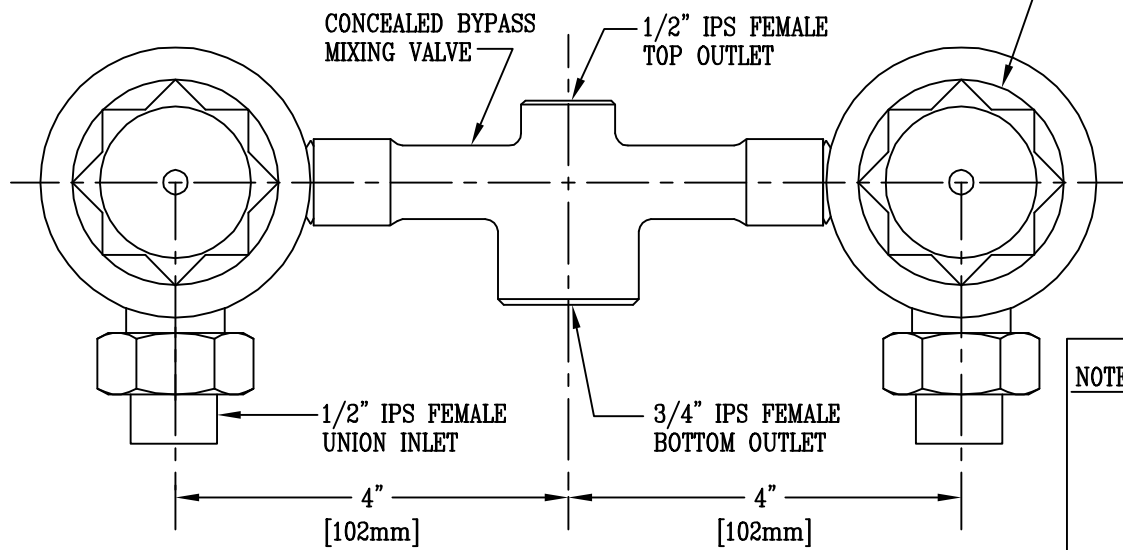
Notes:



ADA COMPLIANT



**SIDE VIEW**



**FRONT VIEW**

**NOTES :** SUPPLY MAY BE FROM ABOVE OR BELOW

VALVE ALSO AVAILABLE ON 6\"/>

Product Description:

CONCEALED BYPASS MIXING VALVE WITH 1/2\"/>

Drawn:

WJS

Approved

CA

Checked

SCM

Scale:

6\"/>

Date:

8/11/95