

**T&S BRASS AND BRONZE WORKS, INC.**

2 SADDLEBACK COVE / P.O. BOX 1088 / TRAVELERS REST, SC 29690

PHONE 800-476-4103

FAX 864- 834-3518



REG. #A2601  
ISO #9002

Model No.

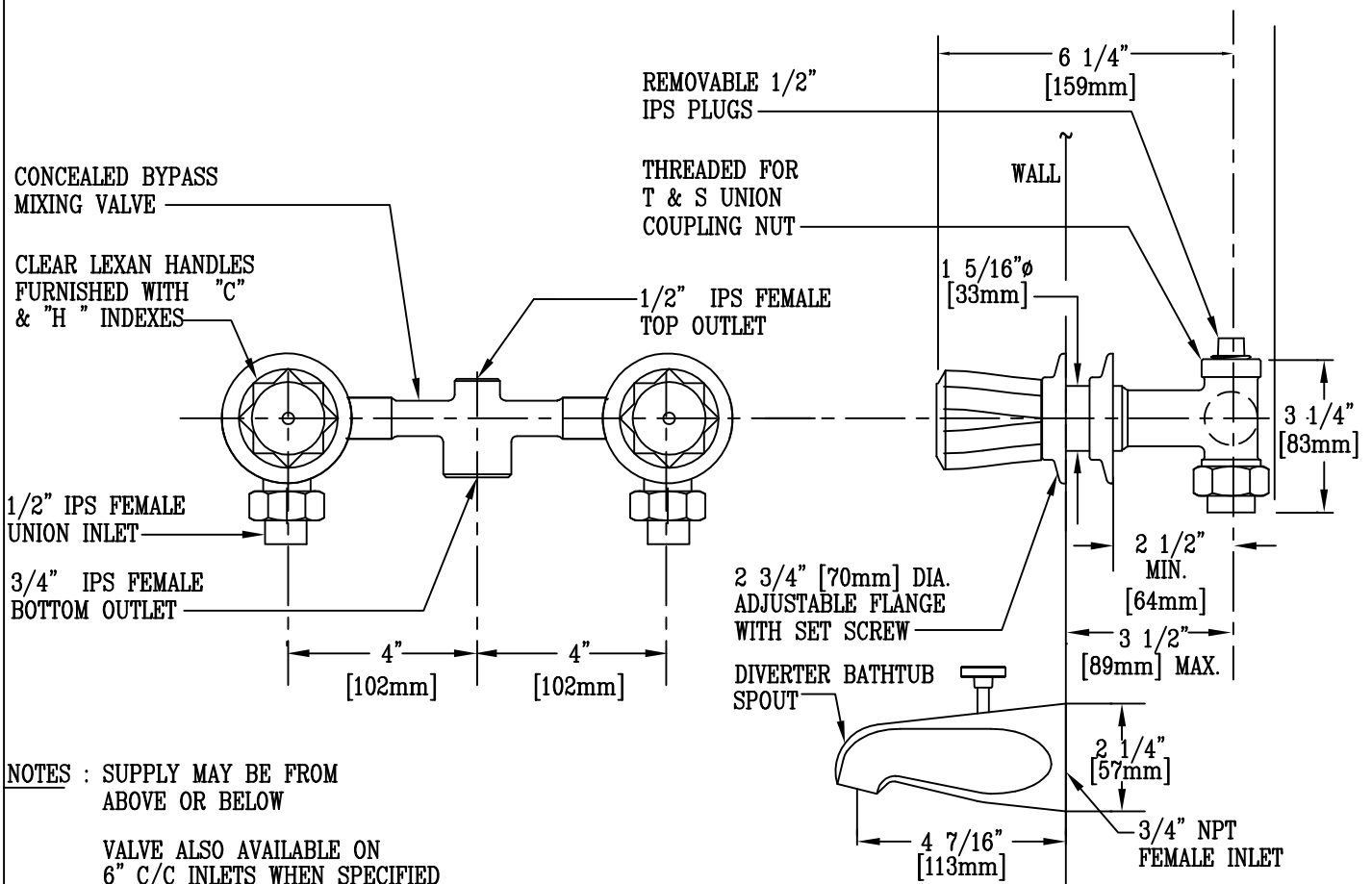
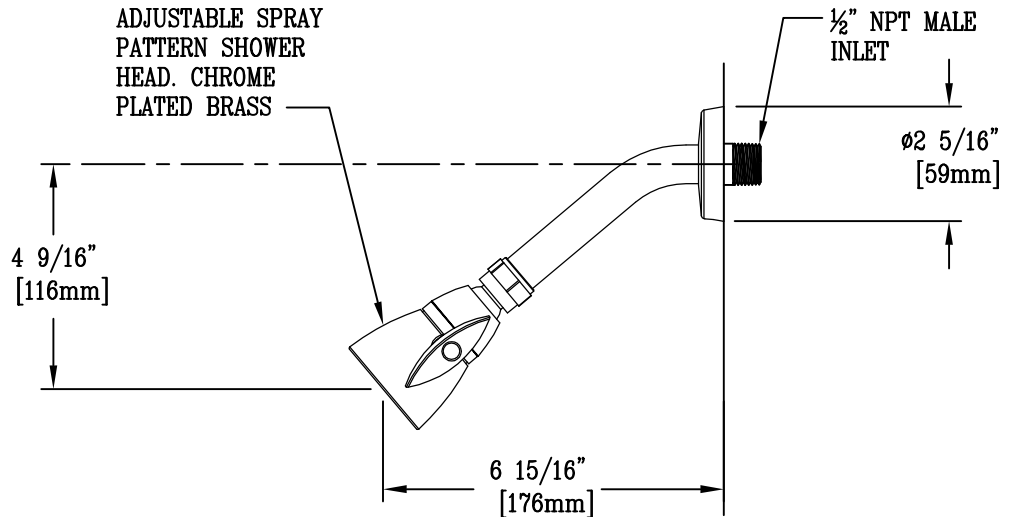
B-1066

Item No.:

Job Name:

Architect/Engineer Approval:

Notes:



NOTES : SUPPLY MAY BE FROM ABOVE OR BELOW

VALVE ALSO AVAILABLE ON 6\"/>

Product Description:

CONCEALED BYPASS MIXING VALVE WITH 1/2\"/>

Drawn:

WJS

Approved

JHB

Checked

GEF

Scale:

1 : 4

Date:

8/9/06