



T&S BRASS AND BRONZE WORKS, INC.
 2 SADDLEBACK COVE / P.O. BOX 1088 / TRAVELERS REST, SC 29690
 PHONE 800-476-4103 FAX 864- 834-3518



Model No.

BL-4720-02

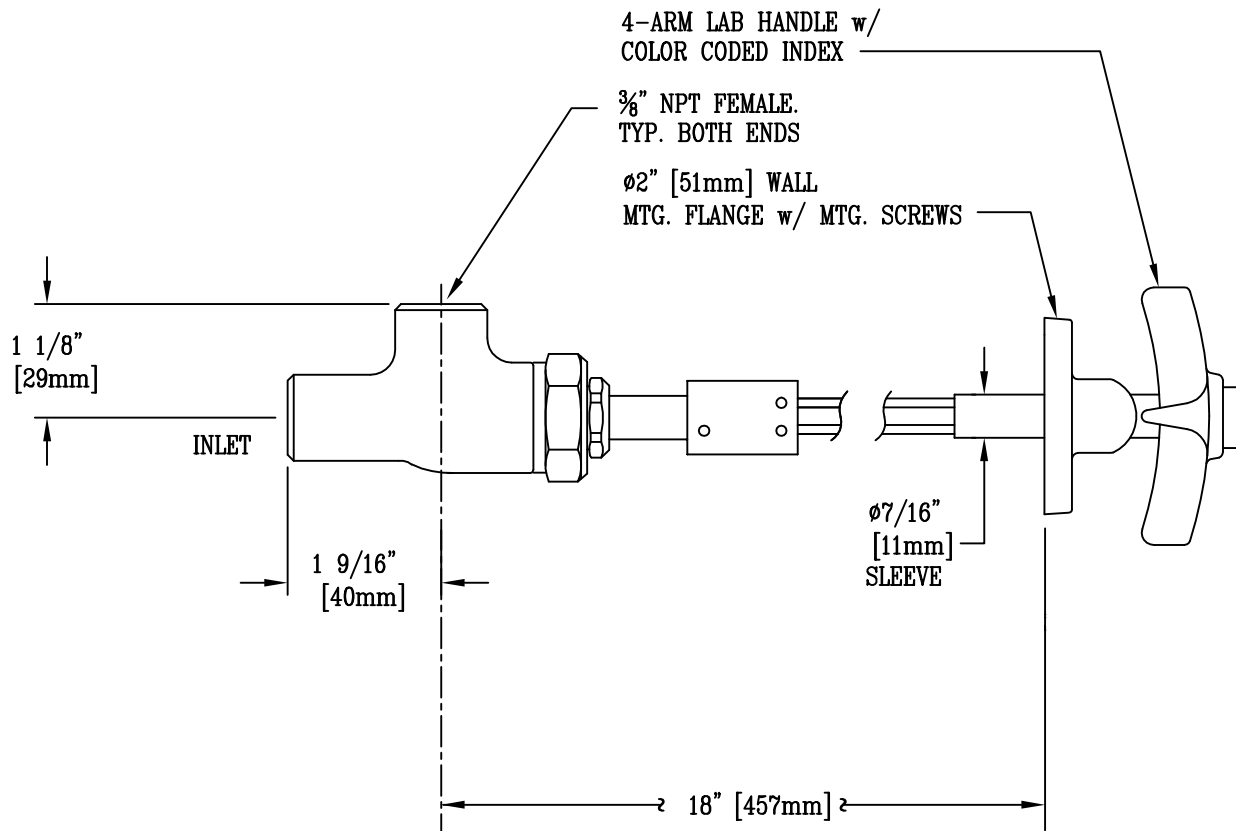
Item No.:

REG.#A2601
ISO #9001

Job Name:

Architect/Engineer Approval:

Notes:



Product Description:
 REMOTE CONTROL ANGLE STOP FOR WATER,
 3/8" NPT FEMALE INLET & OUTLET, HEX COUPLING,
 STRAIGHT FLANGE, 4-ARM LAB HANDLE

Drawn:

WJS

Checked

GEF

Scale:

1 : 2

Approved

JHB

Date:

01/26/07