



T&S BRASS AND BRONZE WORKS, INC.

2 Saddleback Cove / P.O. Box 1088
Travelers Rest, SC 29690



REG. #A2601
ISO #9001

Model No.
BL-4750-02

Item No.

Travelers Rest, SC: 800-476-4103 Simi Valley, CA: 800-423-0150 Fax: 864-834-3518 www.tsbrass.com

This Space for Architect/Engineer Approval

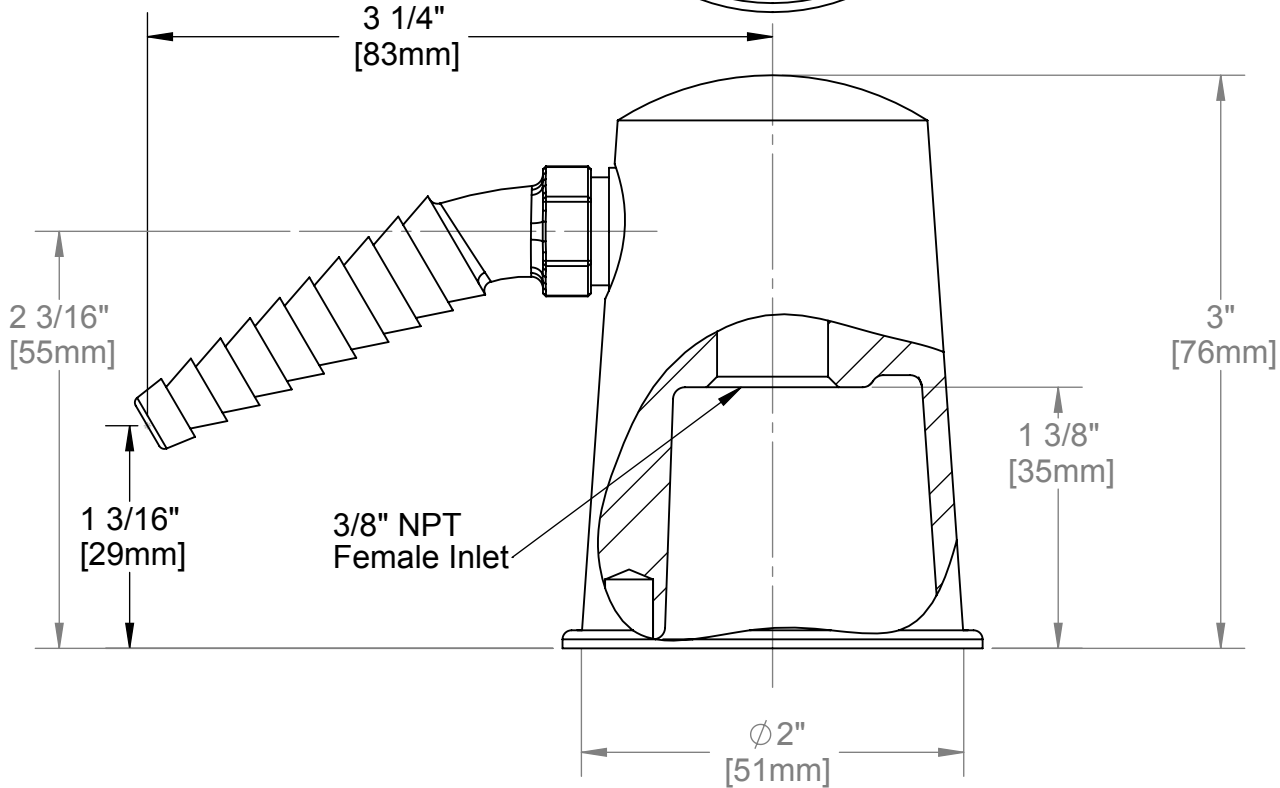
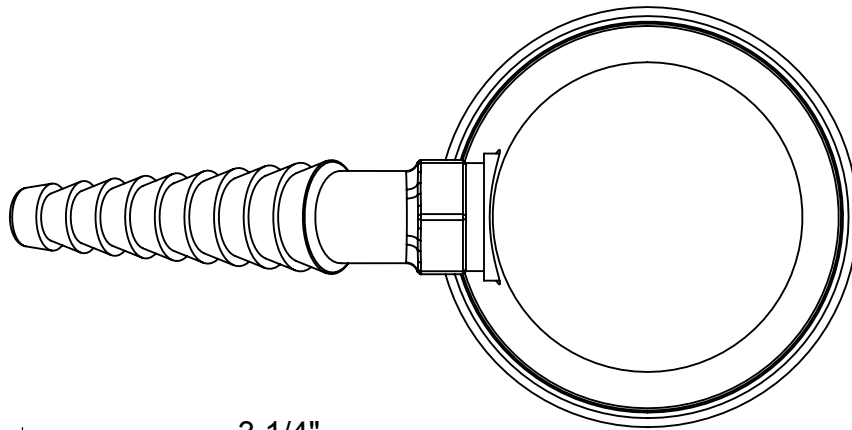
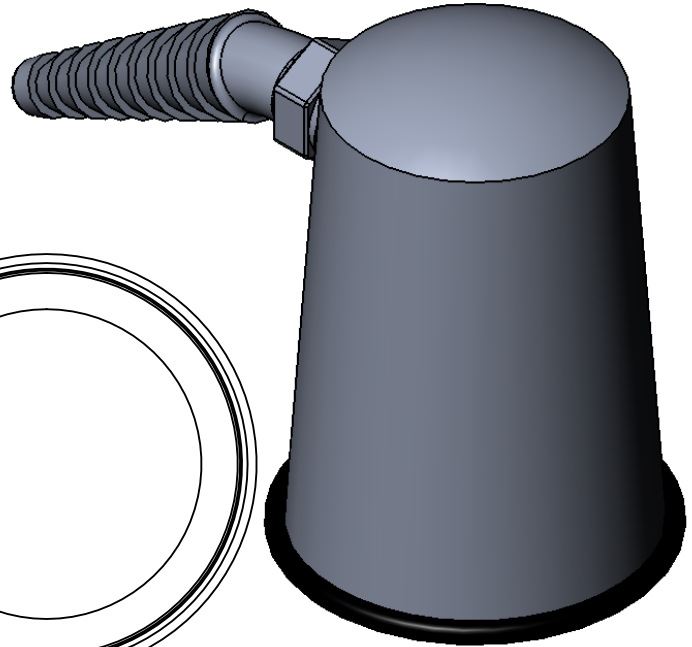
Job Name _____ Date _____

Model Specified _____ Quantity _____

Customer/Wholesaler _____

Contractor _____

Architect/Engineer _____



Product Specifications:
**Turret Assy. w/ Angle
Serrated Hose End**

Drawn ARH	Checked JRM	Approved JHB
Scale: 1:1		Date: 01/10/07



T&S BRASS AND BRONZE WORKS, INC.

2 Saddleback Cove / P.O. Box 1088
Travelers Rest, SC 29690



REG. #A2601
ISO #9001

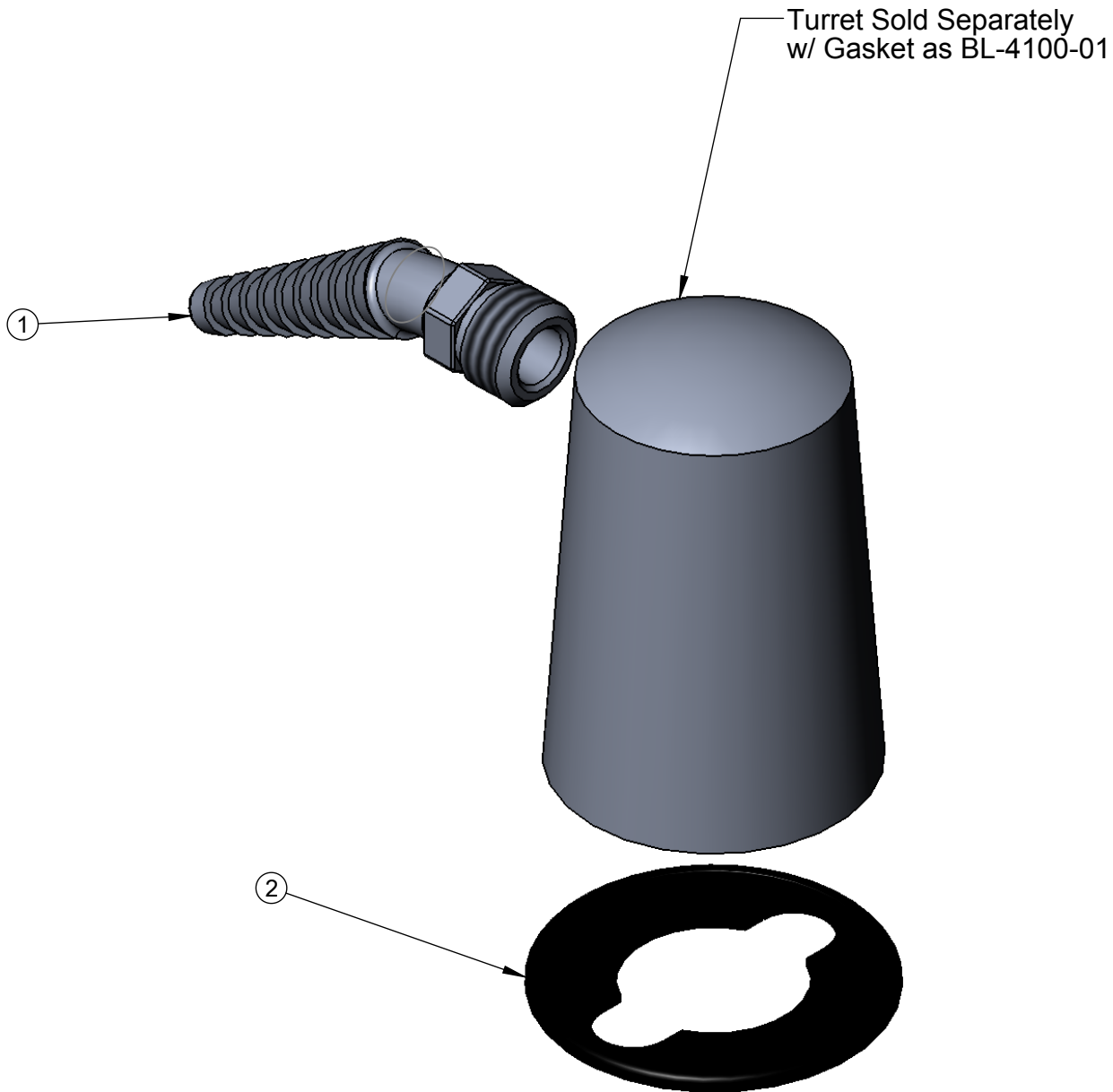
Model No.

BL-4750-02

Item No.

Travelers Rest, SC: 800-476-4103 Simi Valley, CA: 800-423-0150 Fax: 864-834-3518 www.tsbrass.com

ITEM NO.	SALES NO.	DESCRIPTION
1	BL-5550-26	Hose End, Angled, Serrated, Brass
2	001158-45	Gasket, Polypropylene, Black



Product Specifications:

**Turret Assy. w/ Angle
Serrated Hose End**

Drawn

ARH

Checked

JRM

Approved

JHB

Scale:

1:1

Date:

01/10/07