



**T&S BRASS AND BRONZE WORKS, INC.**  
 2 SADDLEBACK COVE / P.O. BOX 1088 / TRAVELERS REST, SC 29690  
 PHONE 800-476-4103 FAX 864- 834-3518



Model No.

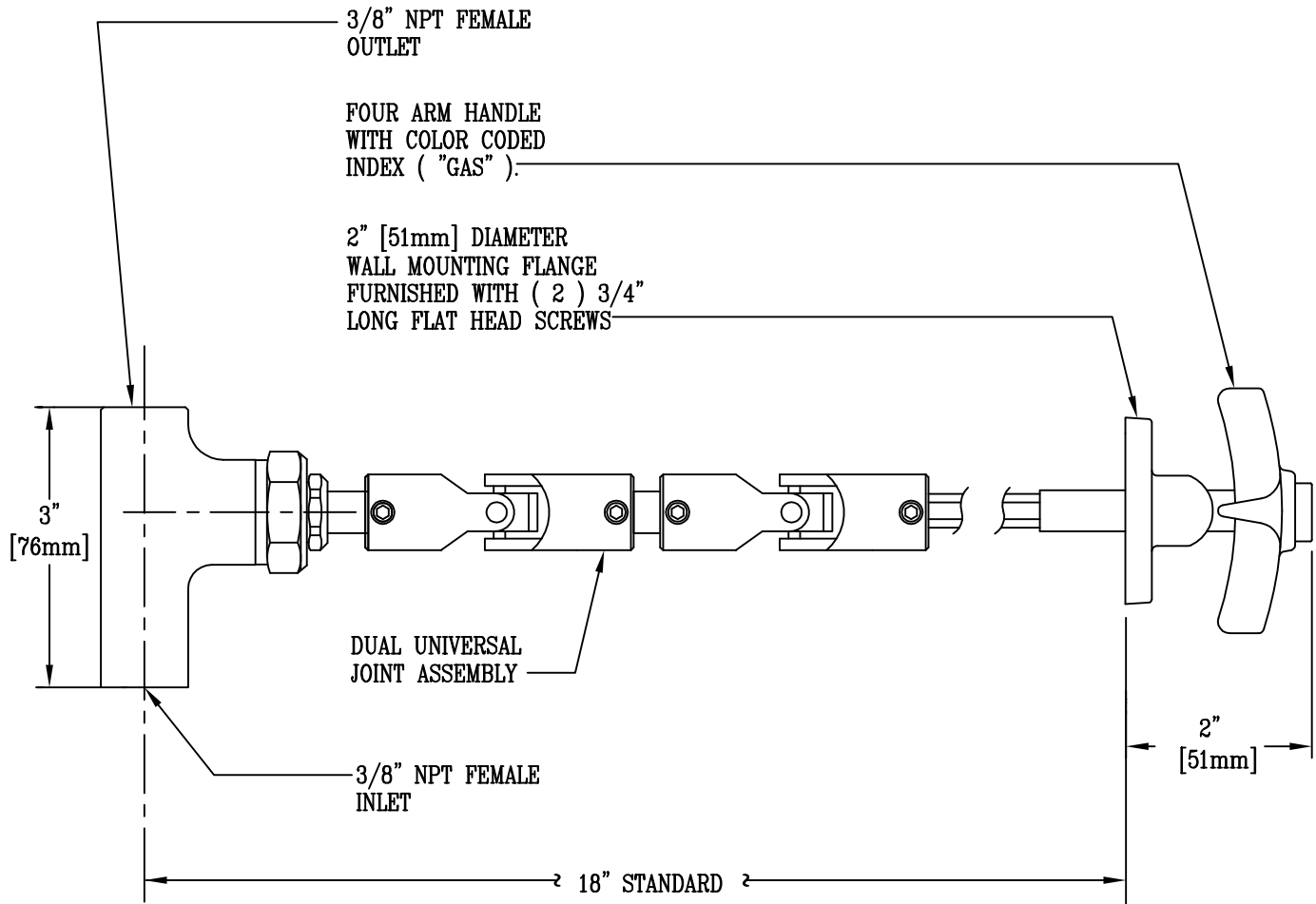
BL-4760-01

Item No.:

Job Name:

Architect/Engineer Approval:

Notes:



Product Description:

REMOTE CONTROL ROD SHUTOFF ASSEMBLY w/ DUAL UNIVERSAL JOINT

Drawn:

WJS

Approved

CA

Checked

LEL

Scale:

1:4

Date:

5/5/05