



T&S BRASS AND BRONZE WORKS, INC.

2 Saddleback Cove / P.O. Box 1088
Travelers Rest, SC 29690



REG. #A2601
ISO #9001

Model No.

MPX-2DCN-08-CR

Item No.

Travelers Rest, SC: 800-476-4103 Simi Valley, CA: 800-423-0150 Fax: 864-834-3518 www.tsbrass.com

This Space for Architect/Engineer Approval

Job Name _____ Date _____

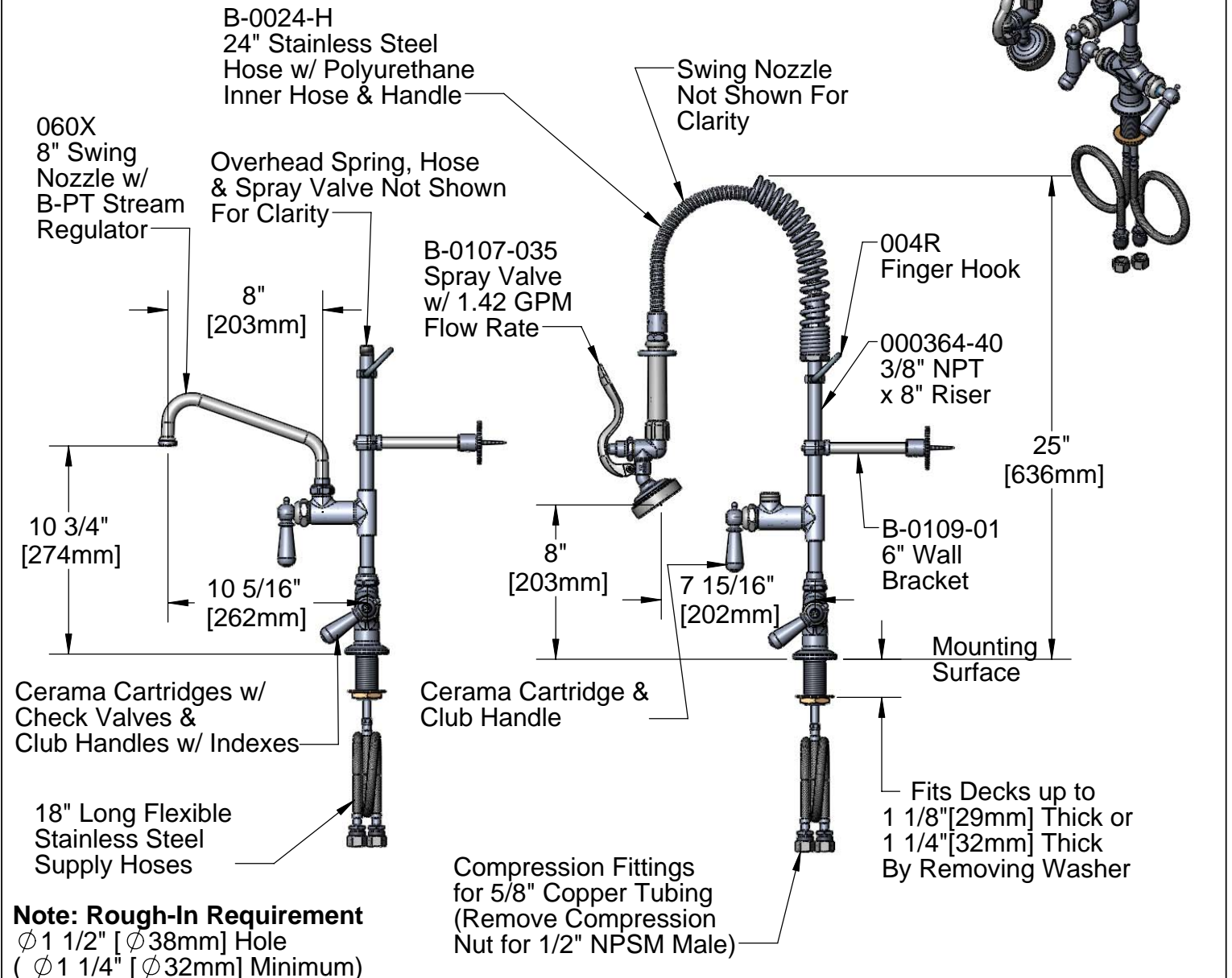
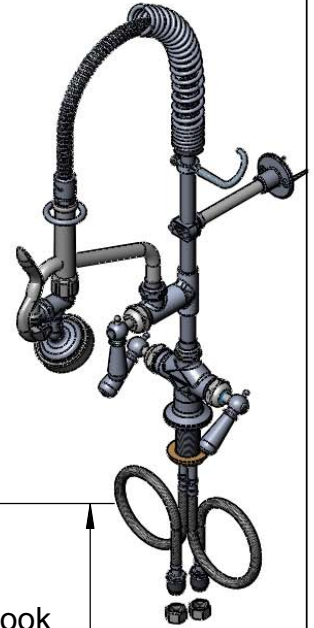
Model Specified _____ Quantity _____

Customer/Wholesaler _____

Contractor _____

Architect/Engineer _____

EPAct2005 Compliant
For Commercial Use Only



Product Specifications: Easy Install Pre-Rinse Unit: Single Deck Mount Base Mixing Faucet, Add-On Faucet, 8" Swing Nozzle, Compact Spring & Flex Hose, B-0107-035 Spray Valve, 6" Wall Bracket, Club Handles & Ceramas	Drawn JRM	Checked KJG	Approved JHB
	Scale: 1:8		Date: 03/30/09



T&S BRASS AND BRONZE WORKS, INC.

2 Saddleback Cove / P.O. Box 1088
Travelers Rest, SC 29690



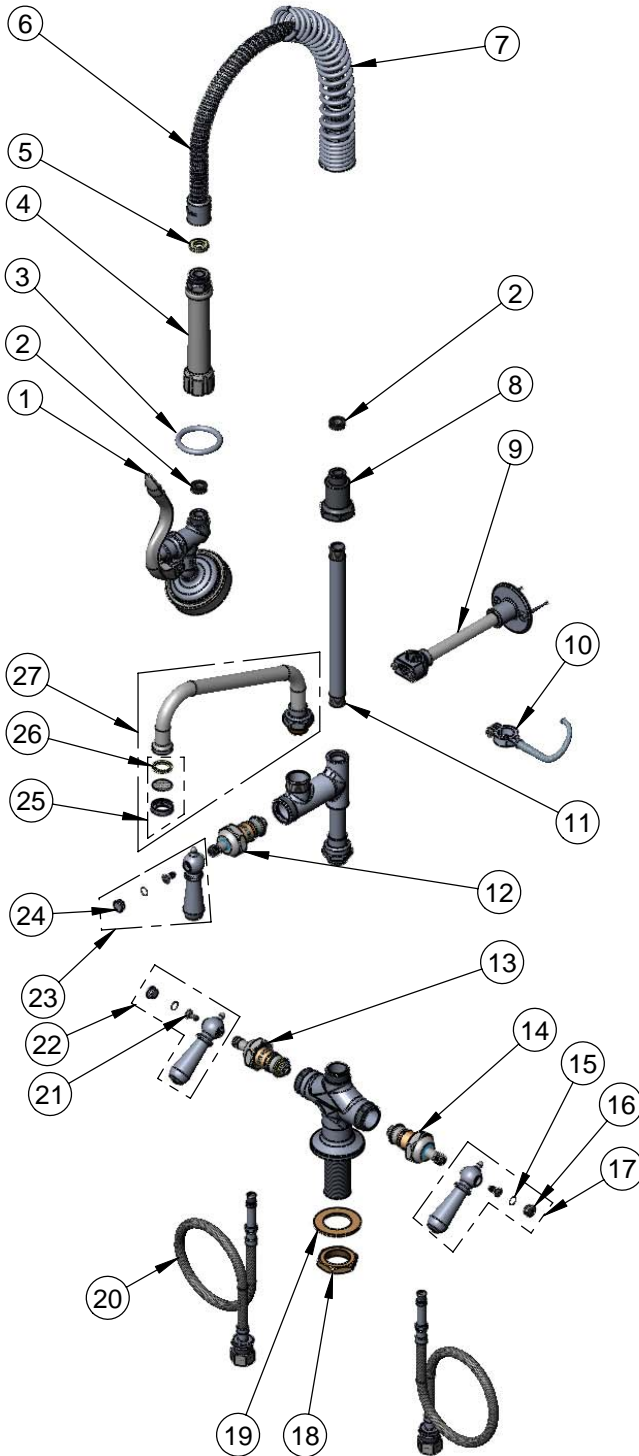
REG. #A2601
ISO #9001

Model No.

MPX-2DCN-08-CR

Item No.

Travelers Rest, SC: 800-476-4103 Simi Valley, CA: 800-423-0150 Fax: 864-834-3518 www.tsbrass.com



ITEM NO.	SALES NO.	DESCRIPTION
1	B-0107-035	1.42 GPM Angled Spray Valve
2	010476-45	#27 Washer
3	000907-45	Spray Valve Hold Down Ring
4	002987-40	Grip Handle Assembly
5	010475-45	Washer, B-0100 Hose Barrel
6	B-0024-H2A	24" Flex Hose Less Handle
7	016795-45	Compact Spring
8	000821-40	Spring Body
9	B-0109-01	Bracket Assembly, 6" Wall
10	004R	Finger Hook Assembly
11	000364-40	3/8" x 8" Riser
12	011278-25	Ceramic Cartridge RTC
13	012394-25	Ceramic Cartridge, RTC w/ Check Valve
14	012395-25	Ceramic Cartridge, LTC w/ Check Valve
15	001066-45	O-Ring
16	009304-41	Decorative Cap Insert, Cold
17	009331-41	Decorative Club Assembly, Cold
18	007365-45	Lock Washer
19	000965-45	Lock Nut
20	012534-45	Flexible Connector Hose
21	000922-45	Lever Handle Screw
22	009332-41	Decorative Club Assembly, Hot
23	017181-41	Decorative Club Assembly, Blank
24	009285-40	Decorative Cap Insert, Blank
25	B-PT	Stream Regulator Outlet
26	001048-45	Nozzle Tip Washer
27	060X	8" Swing Nozzle

Product Specifications:

Easy Install Pre-Rinse Unit:
Single Deck Mount Base Mixing Faucet, Add-On Faucet,
8" Swing Nozzle, Compact Spring & Flex Hose, B-0107-035
Spray Valve, 6" Wall Bracket, Club Handles & Ceramas

Drawn JRM	Checked KJG	Approved JHB
Scale: NTS		Date: 03/30/09