



T&S BRASS AND BRONZE WORKS, INC.

2 Saddleback Cove / P.O. Box 1088
Travelers Rest, SC 29690



REG. #A2601
ISO #9001

Model No.

MPY-8WCV-08-CR

Item No.

Travelers Rest, SC: 800-476-4103 Simi Valley, CA: 800-423-0150 Fax: 864-834-3518 www.tsbrass.com

This Space for Architect/Engineer Approval

Job Name _____ Date _____

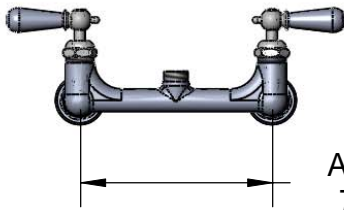
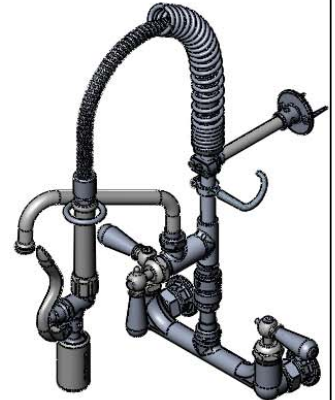
Model Specified _____ Quantity _____

Customer/Wholesaler _____

Contractor _____

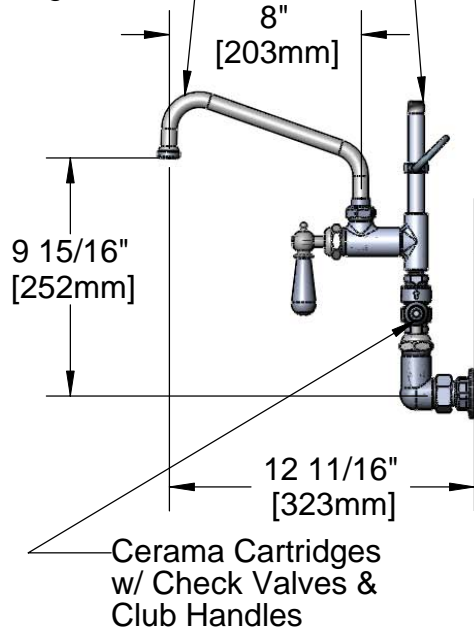
Architect/Engineer _____

EPA2005 Compliant
For Commercial Use Only



8" c/c
Adjustable From
7 3/4" to 8 1/4"
[197mm] - [210mm]

060X
8" Swing
Nozzle w/
B-PT Stream
Regulator



Overhead Spring, Hose
& Spray Valve Not Shown
For Clarity

B-0107-C
Spray Valve
w/ 1.24 GPM
Flow Rate

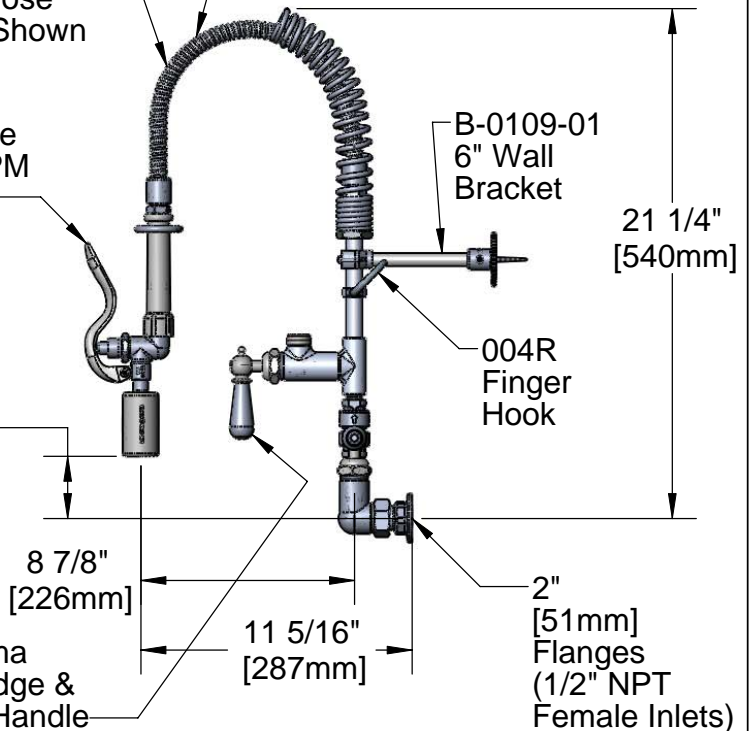
Mounting
Surface

2 9/16"
[66mm]

Cerama
Cartridge &
Club Handle

B-0024-H
24" Stainless Steel
Hose w/ Polyurethane
Inner Hose & Handle

Swing Nozzle
Not Shown For
Clarity



Product Specifications:

Easy Install Pre-Rinse Unit: 8" Wall Mount Faucet, Add-On Faucet w/ 8" Swing Nozzle, Ceramic Cartridges, Compact Spring & Flex Hose, B-0107-C Spray Valve, Vacuum Breaker, & 6" Wall Bracket & Club Handles

Drawn JRM	Checked DHL	Approved JHB
Scale: 1:8		Date: 08/21/08



T&S BRASS AND BRONZE WORKS, INC.

2 Saddleback Cove / P.O. Box 1088
Travelers Rest, SC 29690



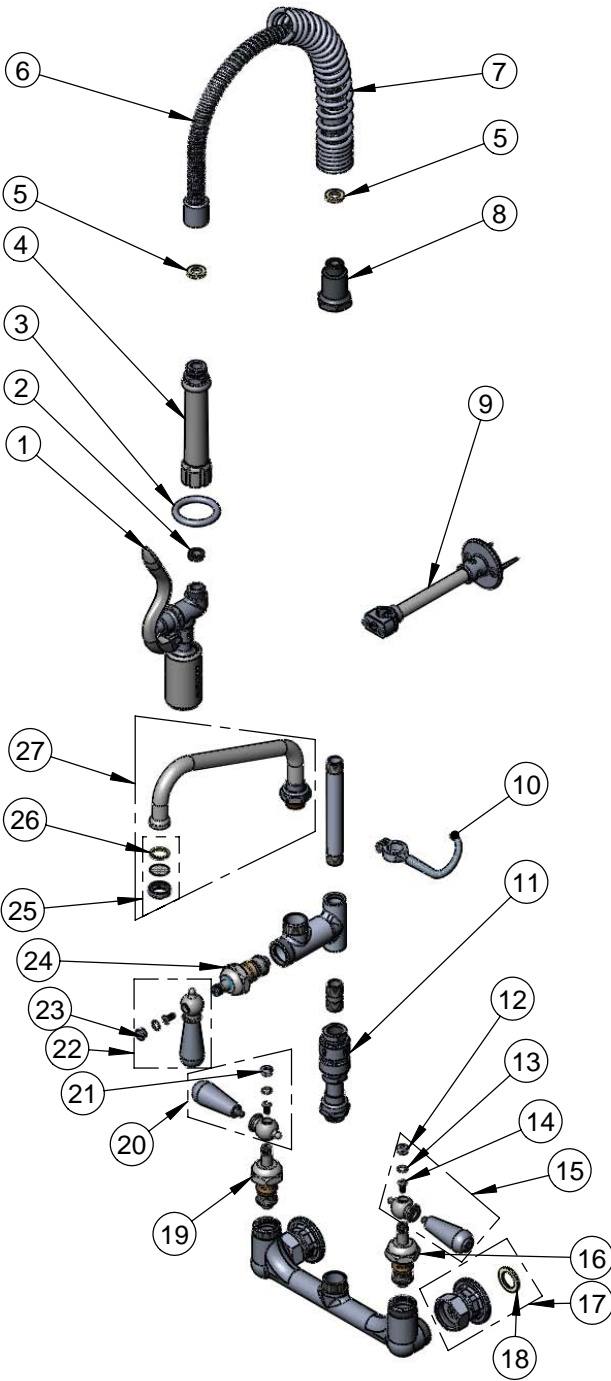
REG. #A2601
ISO #9001

Model No.

MPY-8WCV-08-CR

Item No.

Travelers Rest, SC: 800-476-4103 Simi Valley, CA: 800-423-0150 Fax: 864-834-3518 www.tsbrass.com



ITEM NO.	SALES NO.	DESCRIPTION
1	B-0107-C	1.24 GPM Spray Valve
2	010476-45	#27 Washer
3	000907-45	Spray Valve Hold Down Ring
4	002987-40	Grip Handle Assembly
5	010475-45	Washer, B-0100 Hose Barrel
6	B-0024-H2A	24" Flex Hose Less Handle
7	016795-45	Compact Spring
8	000821-40	Spring Body
9	B-0109-01	Bracket Assembly, 6" Wall
10	004R	Finger Hook Assembly
11	B-0970-FEZ	B-0970 FE Vacuum Breaker
12	009304-41	Decorative Insert (Cold)
13	001066-45	O-Ring
14	000922-45	Lever Handle Screw
15	009331-41	Decorative Lever Handle Asm, Cold
16	012395-25	Ceramic Cartridge, RTC
17	00AA	00AA Flange Assembly
18	001019-45	Coupling Nut Washer
19	012394-25	Ceramic Cartridge, RTC w/CV
20	009332-41	Decorative Lever Handle Asm, Hot
21	009303-41	Decorative Cap Insert, Hot
22	017181-41	Decorative Lever Handle Asm, Blank
23	009285-41	Cap Insert Blank
24	011278-25	Ceramic Cartridge RTC
25	B-PT	Stream Regulator Outlet
26	001048-45	Nozzle Tip Washer
27	060X	8" Swing Nozzle

Product Specifications:

Easy Install Pre-Rinse Unit: 8" Wall Mount Faucet, Add-On Faucet w/ 8" Swing Nozzle, Ceramic Cartridges, Compact Spring & Flex Hose, B-0107-C Spray Valve, Vacuum Breaker, & 6" Wall Bracket & Club Handles

Drawn	Checked	Approved
JRM	DHL	JHB
Scale:		Date:
NTS		08/21/08