



T&S BRASS AND BRONZE WORKS, INC.

2 Saddleback Cove / P.O. Box 1088
Travelers Rest, SC 29690



REG. #A2601
ISO #9001

Model No.

MPZ-2DLN-08-CR

Item No.

Travelers Rest, SC: 800-476-4103 Simi Valley, CA: 800-423-0150 Fax: 864-834-3518 www.tsbrass.com

This Space for Architect/Engineer Approval

Job Name _____ Date _____

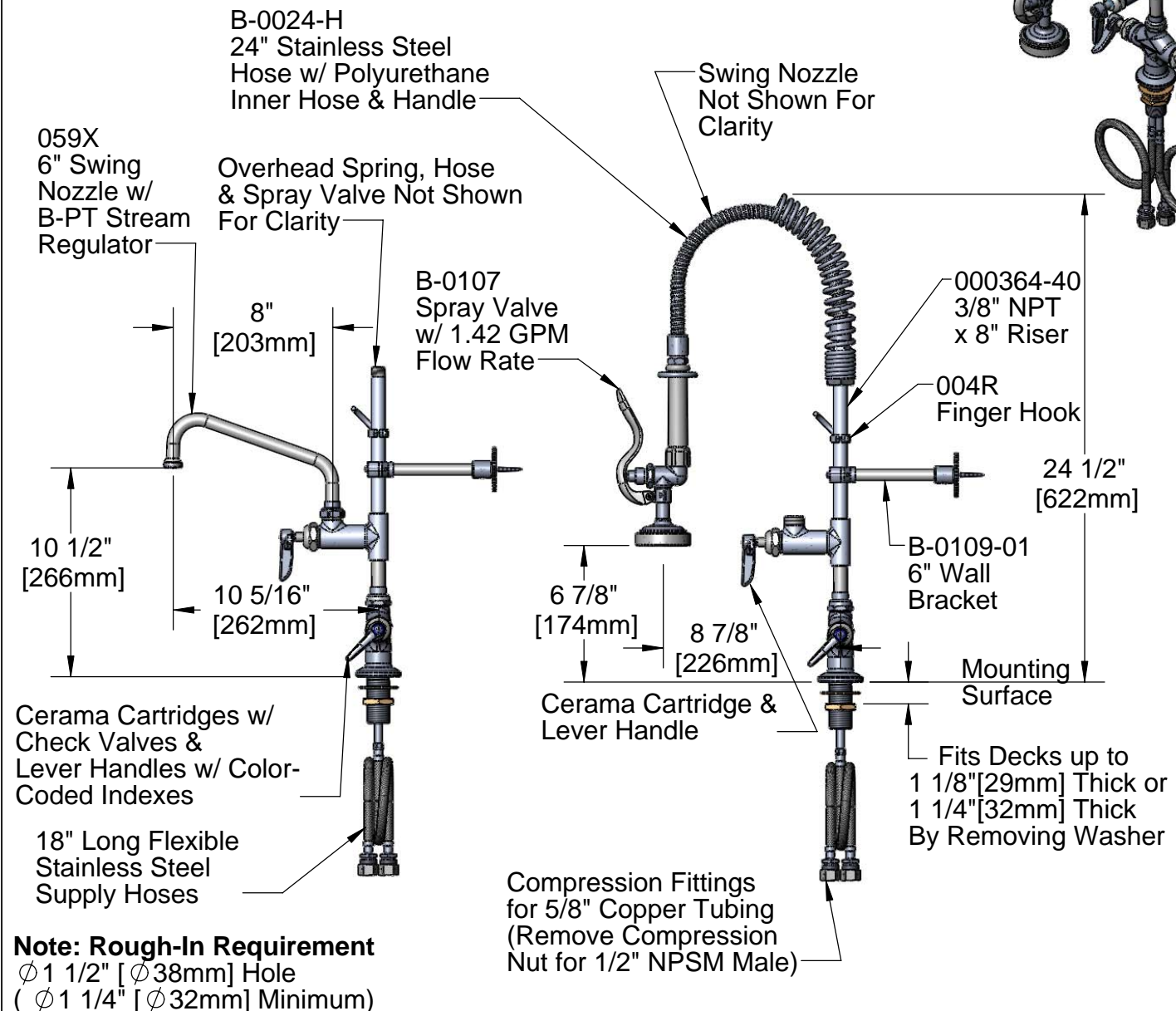
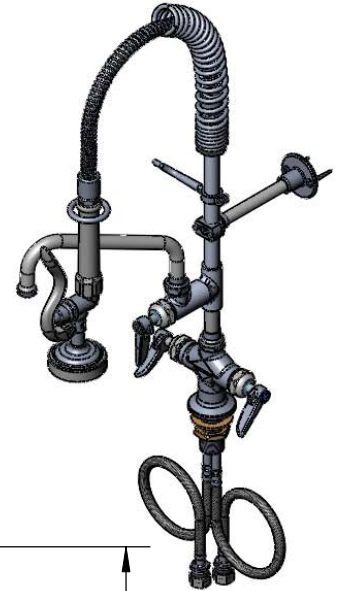
Model Specified _____ Quantity _____

Customer/Wholesaler _____

Contractor _____

Architect/Engineer _____

EPAct2005 Compliant
For Commercial Use Only



Product Specifications:
Easy Install Pre-Rinse Unit:
Single Deck Mount Base Mixing Faucet, Add-On Faucet,
8" Swing Nozzle, Compact Spring & Flex Hose, B-0107
Spray Valve, 6" Wall Bracket, Lever Handles & Ceramas

Drawn JRM	Checked DHL	Approved JHB
Scale: 1:8	Date: 08/21/08	



T&S BRASS AND BRONZE WORKS, INC.

2 Saddleback Cove / P.O. Box 1088
Travelers Rest, SC 29690



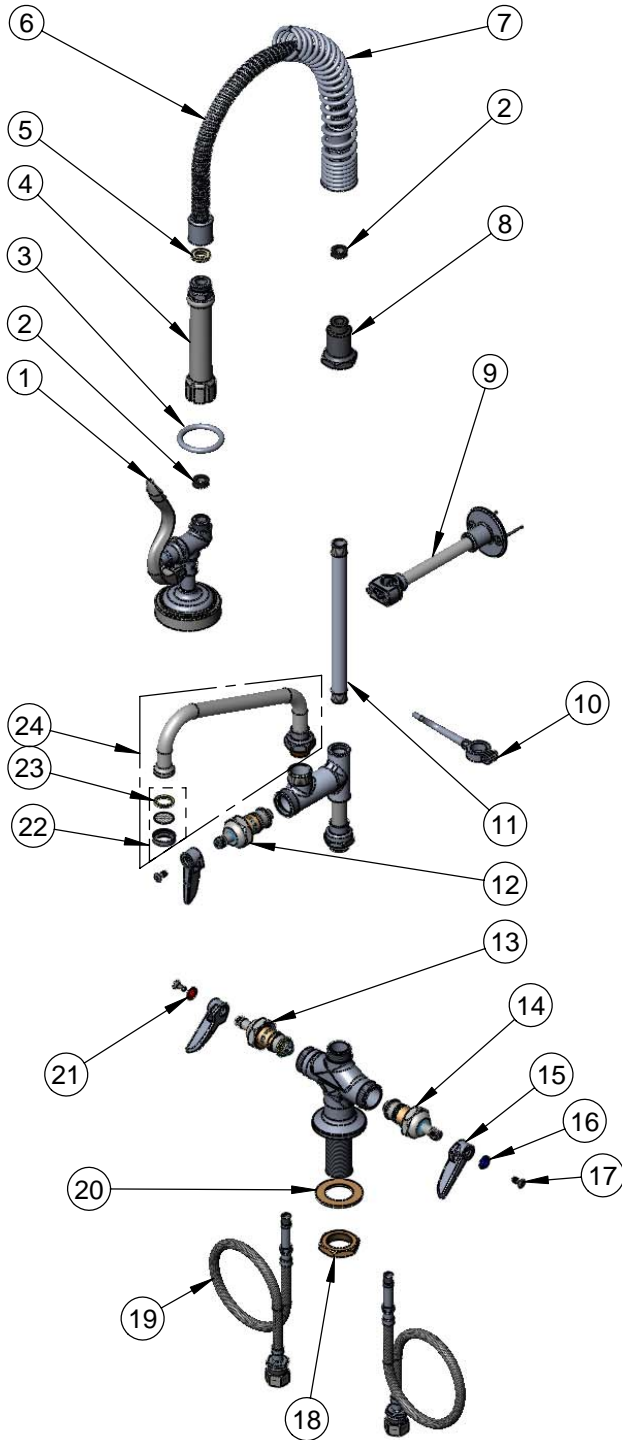
REG. #A2601
ISO #9001

Model No.

MPZ-2DLN-08-CR

Item No.

Travelers Rest, SC: 800-476-4103 Simi Valley, CA: 800-423-0150 Fax: 864-834-3518 www.tsbrass.com



ITEM NO.	SALES NO.	DESCRIPTION
1	B-0107	1.42 GPM Spray Valve
2	010476-45	#27 Washer
3	000907-45	Spray Valve Hold Down Ring
4	002987-40	Grip Handle Assembly
5	010475-45	Washer, B-0100 Hose Barrel
6	B-0024-H2A	24" Flex Hose Less Handle
7	016795-45	Compact Spring
8	000821-40	Spring Body
9	B-0109-01	Bracket Assembly, 6" Wall
10	004R	Finger Hook Assembly
11	000364-40	3/8" x 8" Riser
12	011278-25	Ceramic Cartridge RTC
13	012394-25	Ceramic Cartridge, RTC w/ Check Valve
14	012395-25	Ceramic Cartridge, LTC w/ Check Valve
15	001638-45	Lever Handle
16	001660-45	Blue Index-CW
17	000922-45	Lever Handle Screw
18	000965-45	Lock Nut
19	012534-45	Flexible Connector Hose
20	007365-45	Lock Washer
21	001661-45	Red Index-HW
22	B-PT	Stream Regulator Outlet
23	001048-45	Nozzle Tip Washer
24	060X	8" Swing Nozzle

Product Specifications:

Easy Install Pre-Rinse Unit:
Single Deck Mount Base Mixing Faucet, Add-On Faucet,
8" Swing Nozzle, Compact Spring & Flex Hose, B-0107
Spray Valve, 6" Wall Bracket, Lever Handles & Ceramas

Drawn JRM	Checked DHL	Approved JHB
Scale: NTS		Date: 08/21/08