



T&S BRASS AND BRONZE WORKS, INC.

2 Saddleback Cove / P.O. Box 1088
Travelers Rest, SC 29690



REG. #A2601
ISO #9001

Model No.

MPZ-2DLV-08-CR

Item No.

Travelers Rest, SC: 800-476-4103 Simi Valley, CA: 800-423-0150 Fax: 864-834-3518 www.tsbrass.com

This Space for Architect/Engineer Approval

Job Name _____ Date _____

Model Specified _____ Quantity _____

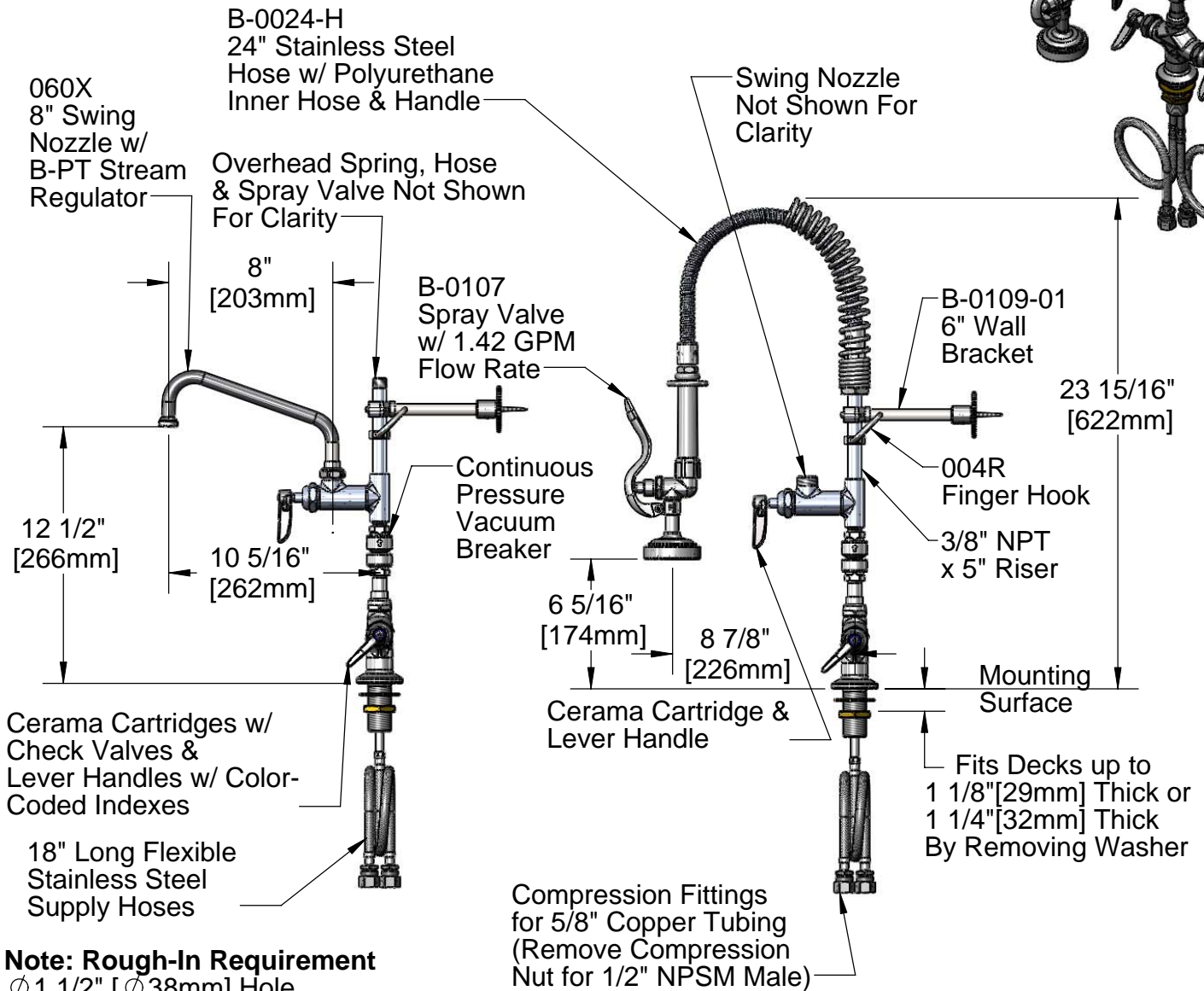
Customer/Wholesaler _____

Contractor _____

Architect/Engineer _____

EPA2005 Compliant

For Commercial Use Only



Note: Rough-In Requirement
 ϕ 1 1/2" [ϕ 38mm] Hole
 (ϕ 1 1/4" [ϕ 32mm] Minimum)

Product Specifications:
Easy Install Pre-Rinse Unit:
 Single Deck Mount Base Mixing Faucet, Add-On Faucet,
 8" Swing Nozzle, VB, Compact Spring & Flex Hose, B-0107
 Spray Valve, 6" Wall Bracket, Lever Handles & Ceramas

Drawn JRM	Checked GEF	Approved JHB
Scale: 1:8		Date: 06/25/09



T&S BRASS AND BRONZE WORKS, INC.

2 Saddleback Cove / P.O. Box 1088
Travelers Rest, SC 29690



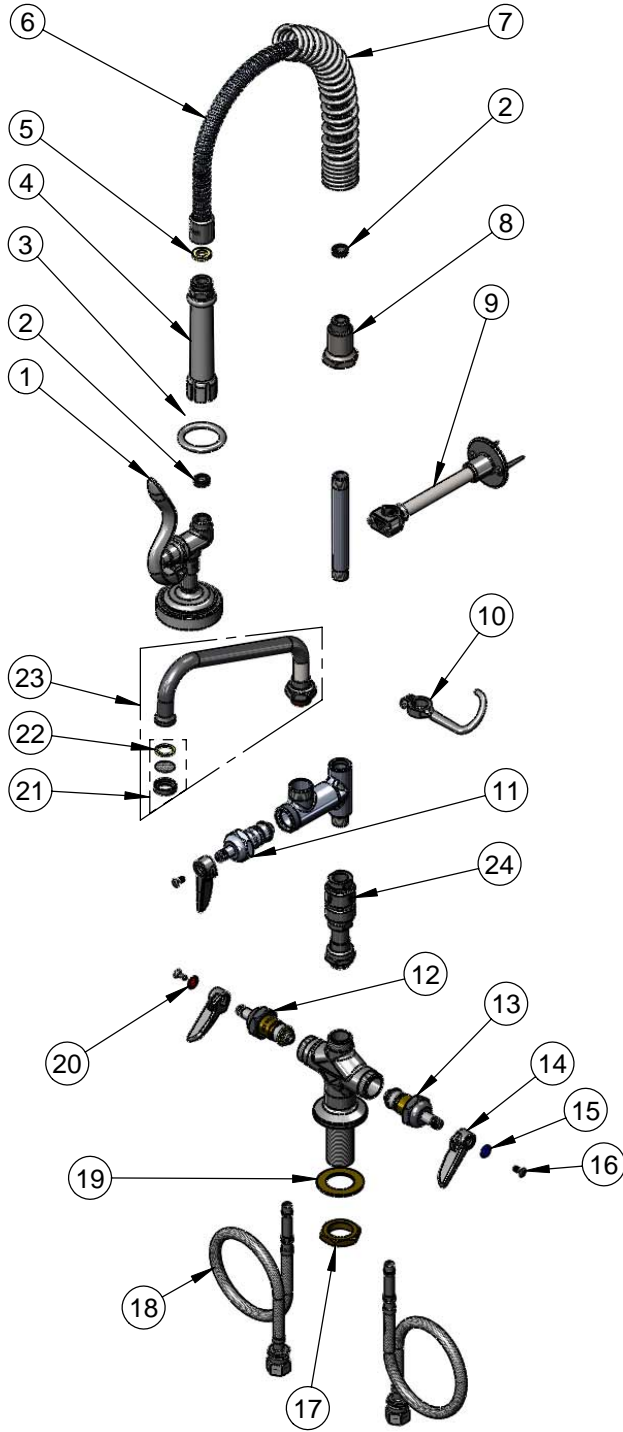
REG. #A2601
ISO #9001

Model No.

MPZ-2DLV-08-CR

Item No.

Travelers Rest, SC: 800-476-4103 Simi Valley, CA: 800-423-0150 Fax: 864-834-3518 www.tsbrass.com



ITEM NO.	SALES NO.	DESCRIPTION
1	B-0107	1.42 GPM Spray Valve
2	010476-45	#27 Washer
3	000907-45	Spray Valve Hold Down Ring
4	002987-40	Grip Handle Assembly
5	010475-45	Washer, B-0100 Hose Barrel
6	B-0024-H2A	24" Flex Hose Less Handle
7	016795-45	Compact Spring
8	000821-40	Spring Body
9	B-0109-01	Bracket Assembly, 6" Wall
10	004R	Finger Hook Assembly
11	011278-25	Ceramic Cartridge RTC
12	012394-25	Ceramic Cartridge, RTC w/ Check Valve
13	012395-25	Ceramic Cartridge, LTC w/ Check Valve
14	001638-45	Lever Handle
15	001660-45	Blue Index-CW
16	000922-45	Lever Handle Screw
17	000965-45	Lock Nut
18	012534-45	Flexible Connector Hose
19	007365-45	Lock Washer
20	001661-45	Red Index-HW
21	B-PT	Stream Regulator Outlet
22	001048-45	Nozzle Tip Washer
23	060X	8" Swing Nozzle
24	B-0970-FEZ	Vacuum Breaker

Product Specifications:

Easy Install Pre-Rinse Unit:
Single Deck Mount Base Mixing Faucet, Add-On Faucet,
8" Swing Nozzle, VB, Compact Spring & Flex Hose, B-0107
Spray Valve, 6" Wall Bracket, Lever Handles & Ceramas

Drawn JRM	Checked GEF	Approved JHB
Scale: NTS		Date: 06/25/09